



Fabryka Armatur
„Glucholazy” S.A.

Globe valve with flanges Cat. no. 218 – straight form

- 218WM - for marine service
- 218A - for stainless steel valves

ND 15 ÷ 300 / NP 4,0 MPa / Tmax=450°C*

Issued in

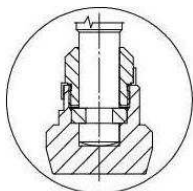
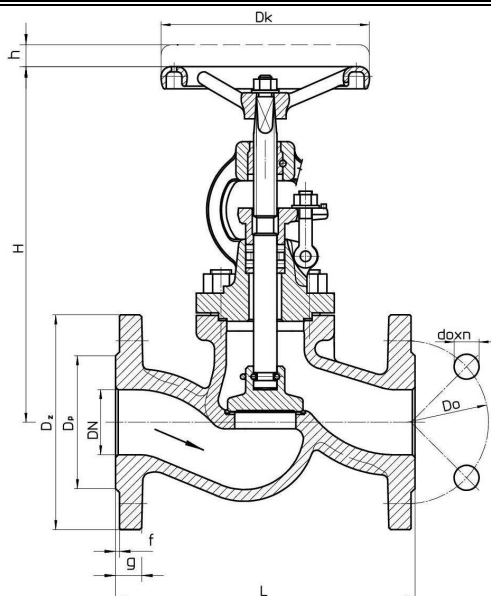
2010

Issue no.

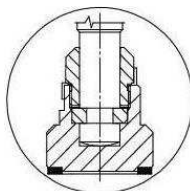
V

Cat. leaflet no.

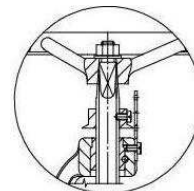
001



Conical disc



Disc with PTFE sealing



Position indicator

Dimensions:

ND	Dz	Dp	Do	d ₀ x n	L	f	g	H	h	D _K	Weight
mm											kg
15	Interchangeably the valves according to leaflet no 003 (straight globe valve Cat. No 450)										
20											
25											
32	140	78	100	18 x 4	180	2	18	260	13	160	11,0
40	150	88	110	18 x 4	200	2	18	270	22	160	12,3
50	165	102	125	18 x 4	230	2	20	275	25	160	16,0
65	185	122	145	18 x 8	290	2	22	320	25	200	28,0
80	200	138	160	18 x 8	310	2	24	370	27	250	36,0
100	235	162	190	22 x 8	350	2	24	405	37	320	50,0
125	270	188	220	26 x 8	400	2	26	436	58	280	61,0
150	300	218	250	26 x 8	480	2	28	496	70	320	95,0
200	375	285	320	30 x 12	600	2	34	576	92	400	175,0
250	450	345	385	33 x 12	730	2	38	665	110	500	250,0
300	515	410	450	33 x 16	850	2	42	777	160	640	530,0

* for stainless steel valves (A) Tmax for material 1.4408 (GX5CrNiMo19-11-2): from -196°C up to +250°C

Application:

Globe valves can be installed in any position on the pipeline, paying attention on correct direction of flowing medium, that should be in accordance with marking on the body. They are destined for closing the medium flow, where the medium is specially dangerous for health end environment. Possible also to throttle the medium flow in execution with regulating disc.

Medium:

The valves are applicable for fresh water, oil and other non-aggressive fluids and gases with operating parameters in the range from $-10\text{ }^{\circ}\text{C}$ up to $450\text{ }^{\circ}\text{C}$, for marine service - marked "WM", for aggressive medium like acids salt solutions etc., made of stainless steel.

Application range:

Nominal pressure PN [bar]	Maximum operating pressure at medium temperature ($^{\circ}\text{C}$)						
	- 10 to 120 $^{\circ}\text{C}$	200 $^{\circ}\text{C}$	250 $^{\circ}\text{C}$	300 $^{\circ}\text{C}$	350 $^{\circ}\text{C}$	400 $^{\circ}\text{C}$	450 $^{\circ}\text{C}$
1.0619 (GP240GH)	40	35	32	28	24	21	13
1.4408 (GX5CrNiMo19-11-2)	40	26	24				

Detailed informations can be found on the graph "Fitting's permissible working parameters for applied materials" (layout p/t) in part IV of the catalogue.


Materials:

Description	Material		
	standard	for marine service	stainless steel
Body	GP240GH	GP240GH	GX5CrNiMo19-11-2
Body seat	18-8 Cr-Ni	18-8 Cr-Ni	GX5CrNiMo19-11-2
Bonnet - ND 32-50 - ND 65-300	P250GH GP240GH	P250GH GP240GH	X6CrNiMoTi17-12-2 (X6CrNiTi18-10) GX5CrNiMo19-11-2
Stem	X30Cr13	X17CrNi16-2	X6CrNiTi18-10
Disc seat - ND 32-50 - ND 65-80 - ND 100-300	X30Cr13 X30Cr13 18-8 Cr-Ni	X17CrNi16-2 18-8 Cr-Ni 18-8 Cr-Ni	18-8 Cr-Ni 18-8 Cr-Ni 18-8 Cr-Ni
Packing	Graphite	Graphite	Graphite

Remarks:

1. Standard flanges: with raised face "B1", drilled acc. to PN-EN 1092-1:2004. On request – the other type of raised face acc. to PN-EN 1092-1:2004, ANSI, BS, DIN or according to individual request of the customer.
2. We produce the valves with flanges designed for NP (0,6 – 2,5) [MPa].
3. Tests and requirements of valves acc. to PN-EN 12266-1:2003.
4. Tightness class – A acc. to PN-EN 12266-1:2003.
5. Face to face dimension acc. to PN-EN 558-1:2001.
6. Quality certificate, depends on customer request – acc. to PN-EN 10204:2005.
7. Direction of flowing Medium: for **ND 15-100** beneath the disc ; for **ND 125-300** above the disc.
8. We produce the valves designed for marine service –WM acc. to PN-W-74017:1998 Standard -on request, the valves can be tested and meet the requirements of Classification Societies as: GL, LRS, BV, DNV, PMPC (Russian Maritime Register of Shipping), ABS, RINA.

NOTE – in inquiry / order we're asking for quoting the norm, type of facing, as well as medium and working parameters.

	<i>Producer and supplier:</i>	<i>Address:</i>	<i>tel.:</i> 077 / 439 12 61
	Fabryka Armatur „Głucholazy” S.A.	48-340 Głucholazy ul. Wrocławska 1A	<i>fax:</i> 077 / 439 19 46 <i>e-mail:</i> fag@fagsa.com.pl <i>http:</i> www.fagsa.com.pl

The Manufacturer reserves the right to introduce the changes in production without notify.