



Fabryka Armatur
„Gluchołazy” S.A.

Globe valve with flanges

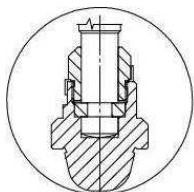
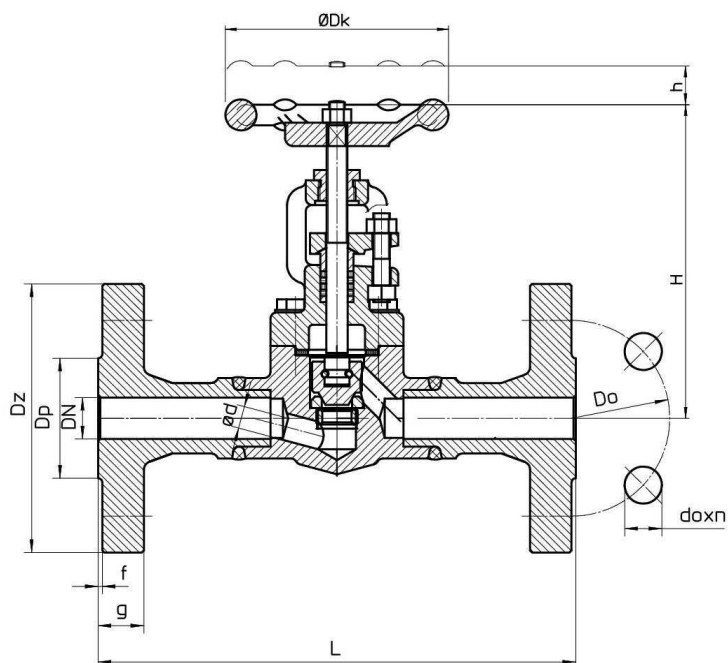
Cat. no. 422

ND 15 ÷ 25 / NP 10,0 MPa / Tmax=425°C

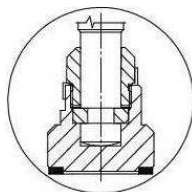
Issued in
2010

Issue no.
V

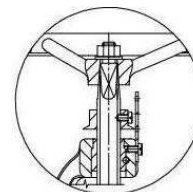
Cat. leaflet no.
011



Regulating disc



Disc with PTFE sealing



Position indicator

Dimensions:

ND	Dz	Dp	Do	f	g	doxn	L	d	H	h	Dk	Weight
mm												kg
15	105	45	75	2	20	14 x 4	210	10	160	10	80	4,6
20	130	58	90	2	22	18 x 4	230	13	165	13	80	6,7
25	140	68	100	2	24	18 x 4	230	18	180	15	100	9,3

Application:

Globe valve can be installed in any position on the pipeline, paying attention on correct flow direction of medium, that should be in accordance with marking on the body. They are destined for closing the medium flow. Possible also to throttle the medium flow in execution with regulating disc.

Medium:

The valves are applicable for water, sea water, steam, oil and other non-aggressive fluids and gases with operating temp. from – 29 °C up to 425 °C.

Application range:

Nominal pressure	NP	Maximum operating pressure at medium temperature [°C]							
		-29°C	+38°C	100°C	200°C	300°C	350°C	400°C	425°C
A105	100	100	100	93	88	78	74	69	58

Detailed informations can be found on the graph "Fitting's permissible working parameters for applied materials" (layout p/t) in part IV of the catalogue.


Materials:

Description	Material
Body	A105
Bonnet	A105
Stem	13Cr
Body seat	17 Cr
Disc seat	13 Cr
Packing	Graphite

Remarks:

1. Standard flanges : with raised face "B2", drilled acc. to PN-EN 1092-1:2004. On request – the other type of raised face acc. to PN-EN 1092-1:2004, ANSI, BS, DIN or according to individual request of the customer.
2. We produce the valves with flanges designed for NP (6,3) [MPa] – Cat. no. 412.
3. Tests and requirements of valves acc. to PN-EN 12266-1:2003.
4. Tightness class – **A** acc. to PN-EN 12266-1:2003.
5. Face to face dimension acc. to PN-EN 558-1:2001.
6. Quality certificate, depends on customer request – acc. to PN-EN 10204:2005.

NOTE – in inquiry / order we're asking for quoting the norm, type of facing, as well as medium and working parameters.

	<i>Producer and supplier:</i> Fabryka Armatur „Głucholazy” S.A.	<i>Address:</i> 48-340 Głucholazy ul. Wrocławska 1A	<i>tel.:</i> 077 / 439 12 61 <i>fax:</i> 077 / 439 19 46 <i>e-mail:</i> fag@fagsa.com.pl <i>http:</i> www.fagsa.com.pl
---	---	---	---

The Manufacturer reserves the right to introduce the changes in production without notify.