



Fabryka Armatur  
„Gluchołazy” S.A.

# Globe valve with flanges in straight form

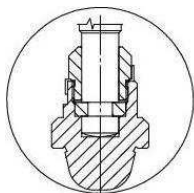
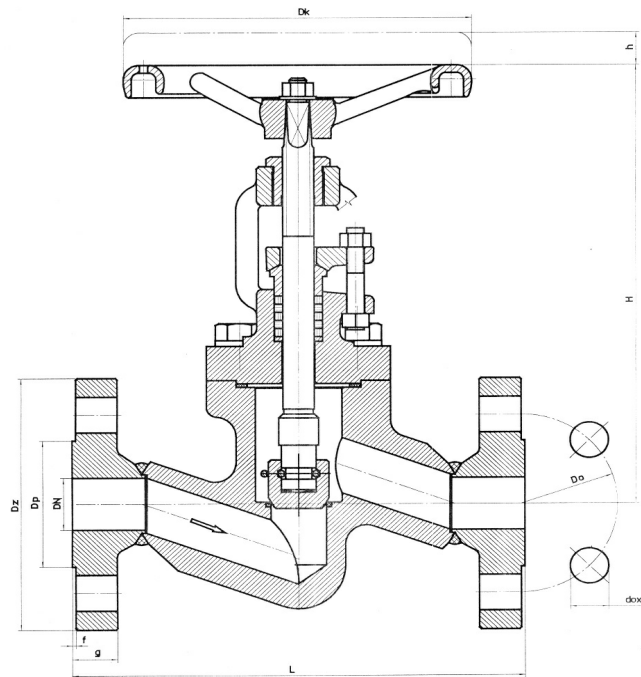
Cat. no. 530

Issued in  
**2010**

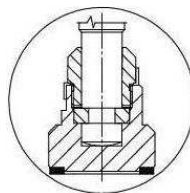
Issue no.  
**V**

Cat. leaflet no.  
**016**

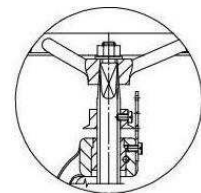
**ND 15 ÷ 50 / PN 16,0 MPa / Tmax=450°C**



Regulating disc



Disc with PTFE sealing



Position indicator

## Dimensions:

ND	Dz	Dp	Do	do x n	L	f	g	H	h	D <sub>K</sub>	Weight
mm											kg
15	105	45	75	14x4	210	2	20	195	12	120	6,0
20	130	58	90	18x4	230	2	22	195	12	120	9,0
25	140	68	100	18x4	230	2	24	255	14	160	11,0
50	195	102	145	26x4	350	3	30	335	30	250	24,0

## Application:

Globe valves can be installed in any position on the pipeline, paying attention on correct direction of flowing medium, that should be in accordance with marking on the body. They are destined for closing the medium flow, where the medium is specially dangerous for health end environment. Possible also to throttle the medium flow in execution with regulating disc.

## Medium:

The valves are applicable for fresh water, oil and other non-aggressive fluids and gases with operating parameters in the range from  $-10\text{ }^{\circ}\text{C}$  up to  $425\text{ }^{\circ}\text{C}$ .

## Application range:

Nominal pressure PN [bar]	Maximum operating pressure at medium temperature [ $^{\circ}\text{C}$ ]						
	- 10 to $100^{\circ}\text{C}$	$200^{\circ}\text{C}$	$250^{\circ}\text{C}$	$300^{\circ}\text{C}$	$350^{\circ}\text{C}$	$400^{\circ}\text{C}$	$425^{\circ}\text{C}$
160	160	130	112	96	90	80	72

Detailed informations can be found on the graph "Fitting's permissible working parameters for applied materials" (layout p/t) in part IV of the catalogue.


## Materials:

Description	Material
Body	P250GH
Body seat	Cr-Ni 18-8
Bonnet	P250GH
Stem	X30Cr13
Disc seat	X30Cr13
Packing	Graphite

## Remarks:

1. Standard flanges: with raised face "B2", drilled acc. to PN-EN 1092-1:2004. On request – the other type of raised face acc. to PN-EN 1092-1:2004, ANSI, BS, DIN or according to individual request of the customer.
2. We produce the valves with flanges designed for NP 6,3 [MPa], PN 10,0 [MPa].
3. Tests and requirements of valves acc. to PN-EN 12266-1:2003.
4. Tightness class – **A** acc. to PN-EN 12266-1:2003.
5. Face to face dimension acc. to PN-EN 558-1:2001.
6. Quality certificate, depends on customer request – acc. to PN-EN 10204:2005.

**NOTE** – in inquiry / order we're asking for quoting the norm, type of facing, as well as medium and working parameters.

	<i>Producer and supplier:</i> <b>Fabryka Armatur „Glucholazy” S.A.</b>	<i>Address:</i> <b>48-340 Glucholazy ul. Wroclawska 1A</b>	<i>tel.:</i> 077 / 439 12 61 <i>fax:</i> 077 / 439 19 46 <i>e-mail:</i> <a href="mailto:fag@fagsa.com.pl">fag@fagsa.com.pl</a> <i>http:</i> <a href="http://www.fagsa.com.pl">www.fagsa.com.pl</a>
---	---	---	---

The Manufacturer reserves the right to introduce the changes in production without notify.