



Fabryka Armatur
„Gluchołazy” S.A.

Check valve with flanges Cat. no. 293 – angle form

- 293WM- for marine service

ND 15 ÷ 250 / PN 4,0 MPa / Tmax=450°C

Issued in

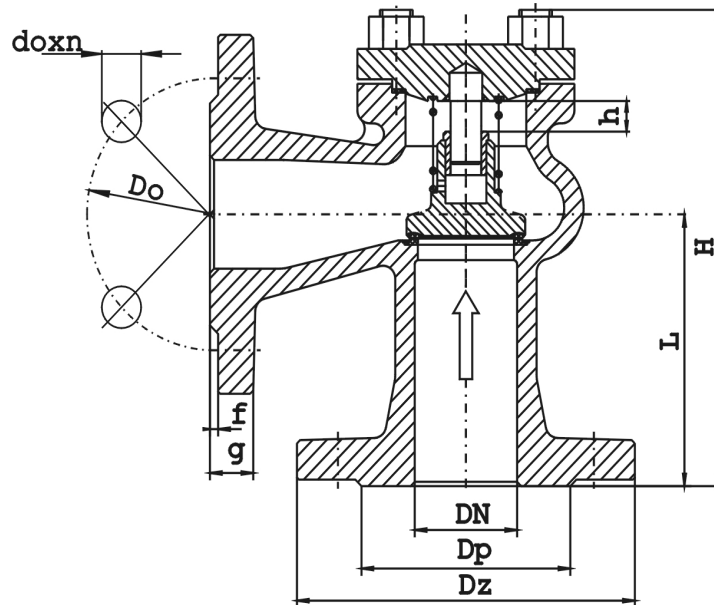
2010

Issue no.

V

Cat. leaflet no.

023



Dimensions:

ND	DZ	D _p	D _o	d _o x n	L	f	g	H	h	Weight
mm										kg
15	95	45	65	14 x 4	90	2	16	145	7	2,5
20	105	58	75	14 x 4	95	2	18	150	7	3,2
25	115	68	85	14 x 4	100	2	18	155	8	3,4
32	140	78	100	18 x 4	105	2	18	195	8	8,7
40	150	88	110	18 x 4	115	2	18	215	10	10,5
50	165	102	125	18 x 4	125	2	20	220	10	13,6
65	185	122	145	18 x 8	145	2	22	265	16	20,0
80	200	138	160	18 x 8	155	2	24	280	20	30,0
100	235	162	190	22 x 8	175	2	24	325	25	51,0
125	270	188	220	26 x 8	200	2	26	360	31	56,0
150	300	218	250	26 x 8	225	2	28	390	38	65,0
200	375	280	320	30 x 12	275	2	34	490	50	125,0
250	450	345	385	33 x 12	325	2	38	540	65	278,0

Application:

Check valves as one-way type prevents the pipelines and related equipment against reverse flow of medium. They can be installed in horizontal and vertical position on the pipeline, but paying attention on correct flow direction, that should be in accordance with marking on the body.

Medium:

The valves are applicable for water, oil and other non-aggressive fluids and gases with operating parameters in the range from $-10\text{ }^{\circ}\text{C}$ up to $450\text{ }^{\circ}\text{C}$, for marine service - marked "WM".

Application range:

Nominal pressure PN [bar]	Maximum operating pressure at medium temperature [$^{\circ}\text{C}$][K]						
	263 to 393 K (- 10 to 120 $^{\circ}\text{C}$)	473 K (200 $^{\circ}\text{C}$)	523 K (250 $^{\circ}\text{C}$)	573 K (300 $^{\circ}\text{C}$)	623 K (350 $^{\circ}\text{C}$)	673 K (400 $^{\circ}\text{C}$)	723 K (450 $^{\circ}\text{C}$)
GP240GH	40	35	32	28	24	21	13

Detailed informations can be found on the graph "Fitting's permissible working parameters for applied materials" (layout p/t) in part IV of the catalogue.


Materials:

Description	Material	
	standard	for marine service
Body	GP240GH	GP240GH
Body seat	18-8 Cr Ni	18-8 Cr-Ni
Bonnet -ND 15-50 -ND 65-250	P250GH C22	P250GH C22
Disc seat -ND 15-25 -ND 32-250	X30Cr13 18-8 Cr-Ni	X17CrNi16-2 18-8 Cr-Ni
Packing	Graphite	Graphite

Remarks:

1. Standard flanges: with raised face "B1" , drilled acc. to PN-EN 1092-1:2004. On request – the other type of raised face acc. to PN-EN 1092-1:2004, ANSI, BS, DIN or according to individual request of the customer.
2. We produce the valves with flanges designed for NP (0,6 – 2,5) [MPa]
3. Tests and requirements of valves acc. to PN-EN 12266-1:2003.
4. Tightness class **D** acc. to PN-EN 12266-1:2003 (the other tightness class -on request also possible).
5. Face to face dimension acc. to PN-EN 558-1:2001.
6. Quality certificate, depends on customer request – acc. to PN-EN 10204:2005.
7. We produce the valves designed for marine service –WM acc. to PN-W-74017:1998 Standard -on request, the valves can be tested and meet the requirements of Classification Societies as: GL, LRS, BV, DNV, PMPC (Russian Maritime Register of Shipping), ABS, RINA.

NOTE – in inquiry / order we're asking for quoting the norm, type of facing, as well as medium and working parameters.

	<i>Producer and supplier:</i> Fabryka Armatur „Głucholazy” S.A.	<i>Address:</i> 48-340 Głucholazy ul. Wrocławska 1A	<i>tel.:</i> 077 / 439 12 61 <i>fax:</i> 077 / 439 19 46 <i>e-mail:</i> fag@fagsa.com.pl <i>http:</i> www.fagsa.com.pl
---	---	---	---

The Manufacturer reserves the right to introduce the changes in production without notify.