



Fabryka Armatur
„Głucholazy” S.A.

Check valve with flanges in straight form

Cat. no. 444

- 444WM- for marine service
- 444A- for stainless steel

ND 15 ÷ 25 / PN 4,0 MPa / Tmax=450°C*

Issued in

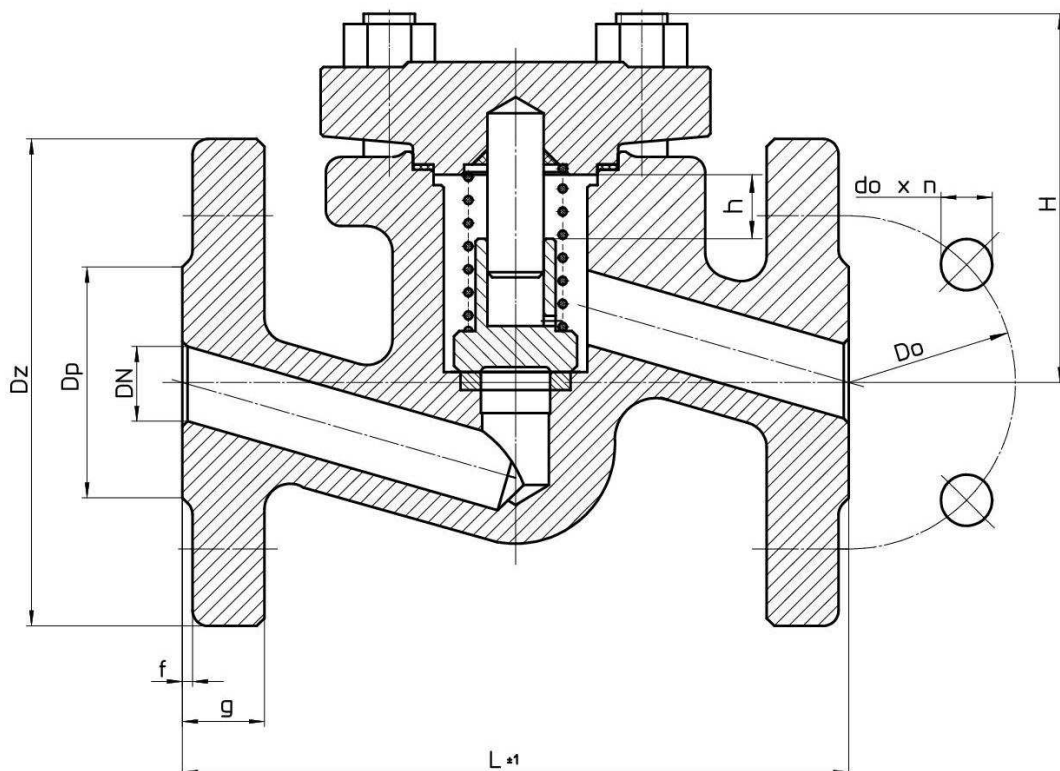
2010

Issue no.

V

Cat. leaflet no.

024



Dimensions:

ND	Dz	Dp	Do	f	g	doxn	L	H	h	Weight
mm										kg
15	95	45	65	2	16	14 x 4	130	56	7	3,0
20	105	58	75	2	18	14 x 4	150	56	7	3,8
25	115	68	85	2	18	14 x 4	160	80	8	4,3

* for stainless steel performance (A) Tmax for material 1.4541 (X6CrNiTi18-10): from -196°C up to +300°C

Application:

Check valves as one-way type prevents the pipelines and related equipment against reverse flow of medium. They can be installed in horizontal and vertical position on the pipeline, but paying attention on correct flow direction, that should be in accordance with marking on the body.

Medium:

The valves are applicable for water, steam, oil and other non-aggressive fluids and gases with operating temperatures in the range from $-10\text{ }^{\circ}\text{C}$ up to $450\text{ }^{\circ}\text{C}$, for marine service - marked "WM", for aggressive medium like acids, salt solutions etc. made of stainless steel.

Application range:

Material	PN	Maximum operating pressure at medium temperature [$^{\circ}\text{C}$]							
		100 $^{\circ}\text{C}$	200 $^{\circ}\text{C}$	250 $^{\circ}\text{C}$	300 $^{\circ}\text{C}$	350 $^{\circ}\text{C}$	400 $^{\circ}\text{C}$	425 $^{\circ}\text{C}$	450 $^{\circ}\text{C}$
P250GH	40	35	32	28	26	23	22	21	13
X6CrNiTi18-10	40	40	36	34	32	-	-	-	-

Detailed informations can be found on the graph "Fitting's permissible working parameters for applied materials" (layout p/t) in part IV of the catalogue.


Materials:

Description	Material		
	standard	for marine service	for stainless steel Tmax 300 $^{\circ}\text{C}$
Body	P250GH	P250GH	X6CrNiTi18-10
Bonnet	P250GH	P250GH	X6CrNiTi18-10
Stem	C15	C15	18-10 Cr-Ni
Disc seat	X30Cr13	X30Cr13	18-10 Cr-Ni
Body seat	CrNi 18-8	CrNi 18-8	X6CrNiTi18-10
Packing	Graphite	Graphite	Graphite

Remarks:

1. Standard flanges : with raised face "B1", drilled acc. to PN-EN 1092-1:2004. The flanges performance acc. to PN-EN 1092-1:2004, ANSI, BS, DIN standards also available.
2. We produce the valves with flanges designed for NP (0,6 ÷ 2,5) [MPa].
3. Tests and requirements of valves acc. to PN-EN 12266-1:2003.
4. Tightness class **D** acc. to PN-EN12266-1:2003 (other class of tightness also available – on request).
5. Face to face dimension acc. to PN-EN 558-1:2001.
6. Quality certificate, depends on customer request – acc. to PN-EN 10204:2005.
7. We produce the valves designed for marine service – WM acc. to PN-W-74017:1998 Standard - on request, the valves can be tested and meet the requirements of Classification Societies as: GL, LRS, BV, DNV, PMPC (Russian Maritime Register of Shipping), ABS, RINA.

NOTE – in inquiry / order we're asking for quoting the norm, type of facing, as well as medium and working parameters.

	<i>Producer and supplier:</i>	<i>Address:</i>	<i>tel.:</i> 077 / 439 12 61
	Fabryka Armatur „Głucholazy” S.A.	48-340 Głucholazy ul. Wrocławska 1A	<i>fax:</i> 077 / 439 19 46 <i>e-mail:</i> fag@fagsa.com.pl <i>http:</i> www.fagsa.com.pl

The Manufacturer reserves the right to introduce the changes in production without notify.