



Fabryka Armatur
„Gluchołazy” S.A.

Strainer with butt-welding in straight form “T” type Cat. no. 922S

ND 32 ÷ 150 / PN 10,0 MPa / Tmax=450°C*

Issued in

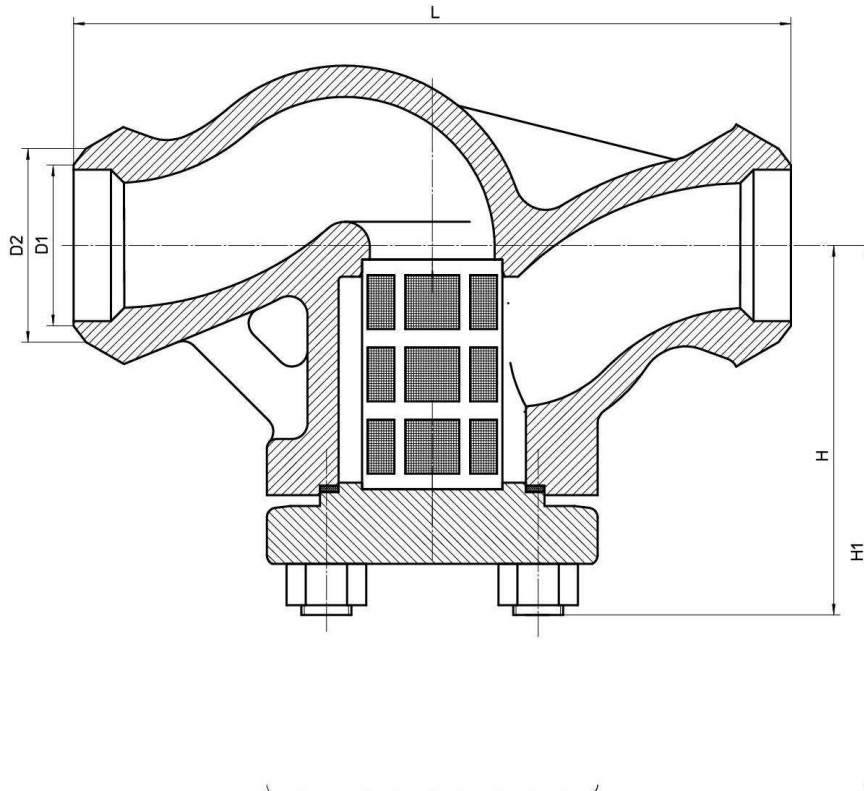
2010

Issue no.

V

Cat. leaflet no.

057



Dimensions:

ND	D1	D2	L	H	H ₁	Weight
mm						kg
32	37	43	230	100	180	5,5
40	43	54	230	120	200	8,0
50	54	67	300	125	200	13,0
65	70	83	340	160	240	26,5
80	83	96	380	175	260	28,3
100	105	121	500	200	280	37,0
150	154	176	550	307	680	100,0

Application:

Strainers in straight form with flanges protect installation parts as: control-measuring equipment, pumps, regulating fitting, flow measuring gauges, heat counter, etc. They can be installed on horizontal and vertical pipelines with bonnet downwards.

Medium:

Strainers are applicable for water, steam, oil and other neutral liquids and gases in temperature range -10 °C to 450 °C,

Application range:

Material	PN	Maximum operating pressure at medium temperature [°C]						
		120°C	200°C	250°C	300°C	350°C	400°C	450°C
GP240GH	100	100	83,3	76,1	69,0	64,2	59,5	32,8

Detailed informations can be found on the graph "Fitting's permissible working parameters for applied materials" (layout p/t) in part IV of the catalogue.

Materials:

Description	Material
Body	GP240GH
Bonnet	C22
Screen	X6CrNiTi 18-10
Packing	Graphite

Performance types:

Standard strainers are equipped with screens having 64 holes /cm² (mesh size 0.8 mm) - marked **FS 64** on request also with other screens available:


- 100 holes /cm² (mesh size 0,80mm) - marked **FS 100**
- 200 holes /cm² (mesh size 0,50mm) - marked **FS 200**
- 250 holes /cm² (mesh size 0,40mm) - marked **FS 250**
- 400 holes /cm² (mesh size 0,28mm) - marked **FS 400**
- 600 holes /cm² (mesh size 0,25mm) - marked **FS 600**

- on request with drain plug to pollution removing on request with magnetic screen

Remarks:

1. Test and requirements of valves acc. to PN-EN 12266-1.
2. Quality certificate, depends on customer request – acc. to PN-EN 10204.

NOTE – in inquiry / order we're asking for quoting the norm, type of facing, as well as medium and working parameters.

	<i>Producer and supplier:</i> Fabryka Armatur „Głucholazy” S.A.	<i>Address:</i> 48-340 Głucholazy ul. Wrocławska 1A	<i>tel.:</i> 077 / 439 12 61 <i>fax:</i> 077 / 439 19 46 <i>e-mail:</i> fag@fagsa.com.pl <i>http:</i> www.fagsa.com.pl
---	---	---	---

The Manufacturer reserves the right to introduce the changes in production without notify.